

EC30 Series Elevator Door Controller

About the Product

EC30 Series Elevator Door Controller is a driving system controlling permanent magnet synchronous motor and is specified for elevator door control, and it's able to achieve the best door opening and closing speed curve, efficient, reliable, easy to operate; the EC30 door controller is applicable to the door system whose net door opening width is (700~1500) mm.



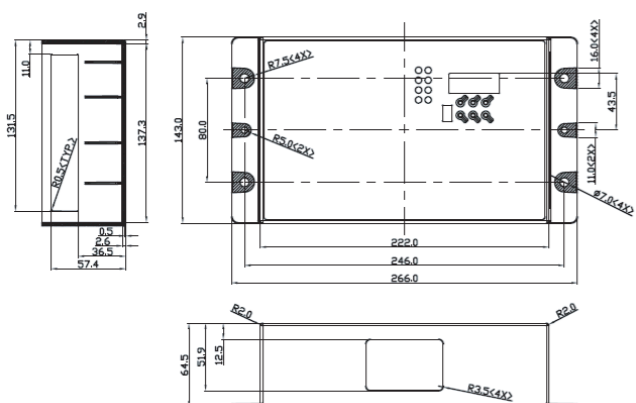
Technical Features

- Self-learning of door width
- Demonstration of automatic door opening and closing
- Failure alarm and self-protection function
- Support PM motor with absolute encoder

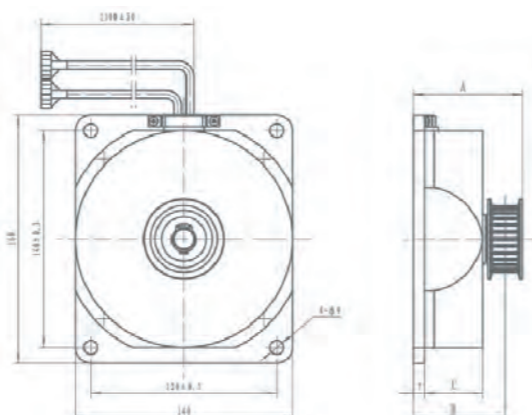
Specification

Input voltage	Rated frequency	Rated power	Output voltage	Output current
AC220V±15%	50/60Hz	400W	0~220V	2A

Dimension



EC30 Elevator Door Controller



PM motor

EC-CTB Car Top Control Board

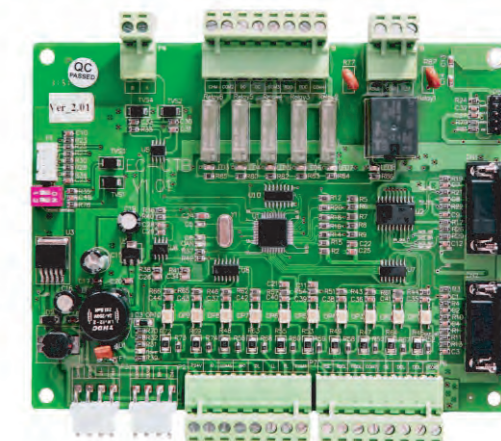
Appearance dimension (mm)	Installation dimension (mm)	Hole size (mm)
162×125	152×115	Φ4

Product Features

- CANBUS communication
- RS485 communication available, provides a standard RS485 communication protocol to connect with third-party multimedia displays and voice announcer
- RS232 communication available
- Analog weighing input and switching value weighing modes available
- Up to 64 floors control
- Arrival bell output
- Illumination energy-saving control
- Double-door control

Installation Position

Car top inspection box or car operation panel



EC-CCB Car Operation Board

Appearance dimension (mm)	Installation dimension (mm)	Hole size (mm)
158*79	148*68	Φ4

Product Features

- One board every elevator at least, the first CCB supports 16 floors, one board every 20 floors when more than 16 floors
- Driver, independent, bypass or non-stop switch, driver communication, door-opening delay button input etc.

Application Range

Combined with EC-CTB car top control board

Installation Position

Car operation panel

